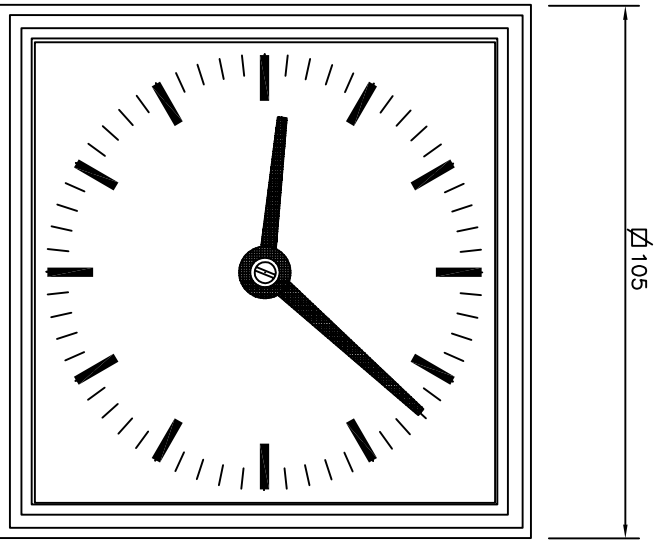
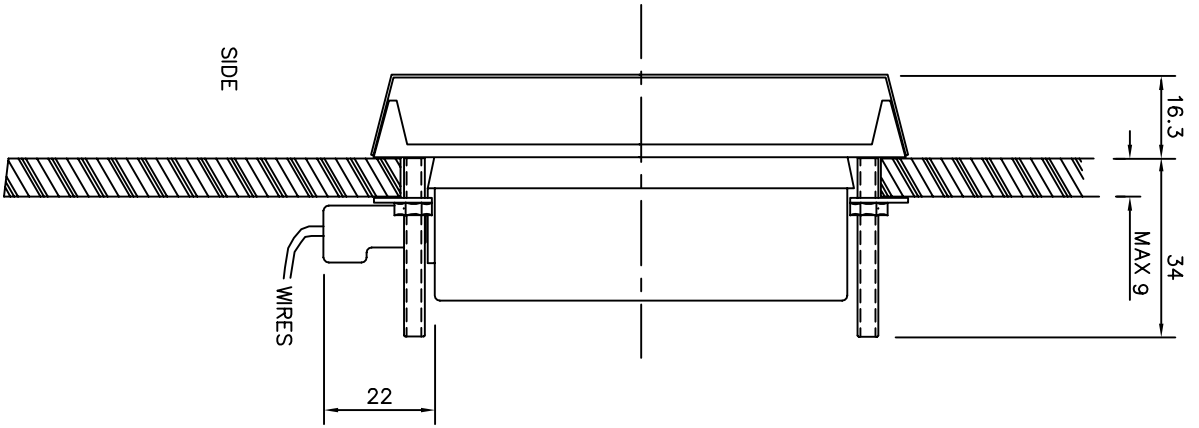
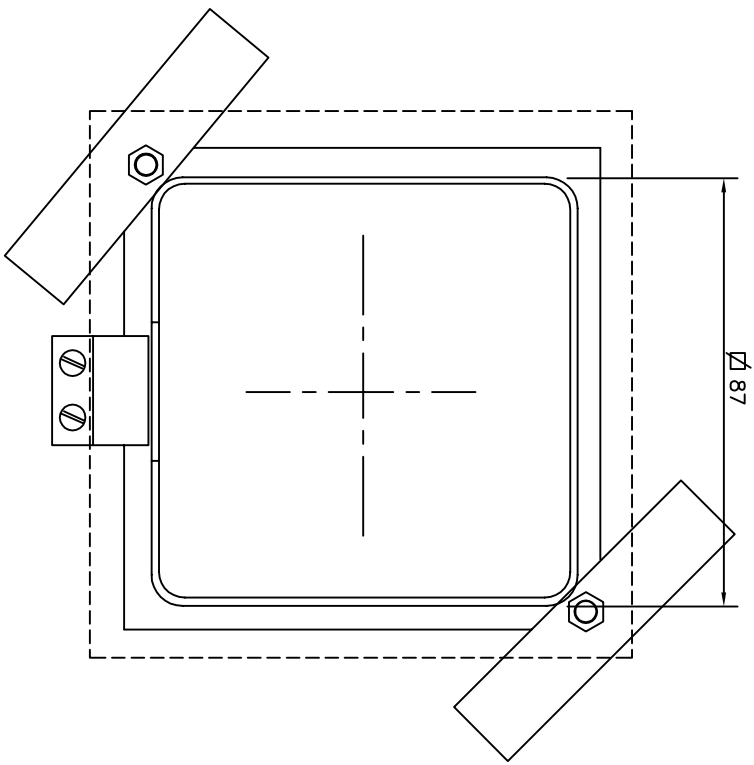


This drawing and design is the property of WESTERSTRAND AB Sweden without whose permission the drawing may not be copied, shown or handed to any third party.

13 12 11 10 9 8 7 6 5 4 3 2 1



Title	INSTRUMENTUR 111478-00	Scale:	1:1	Name:	BE	Date:	89.01.09	Art. Number	080266-00
	MONITOR CLOCK 111478-00								
WESTERSTRAND AB		TREBODA - SWEDEN		CAD		220			

A B C D E F G H J K L M N P