

Master Clock - Marine



Analogue and digital display

Showing UTC and LT

4 clock outputs with different systems

Serial output - Relay outputs - Alarm output

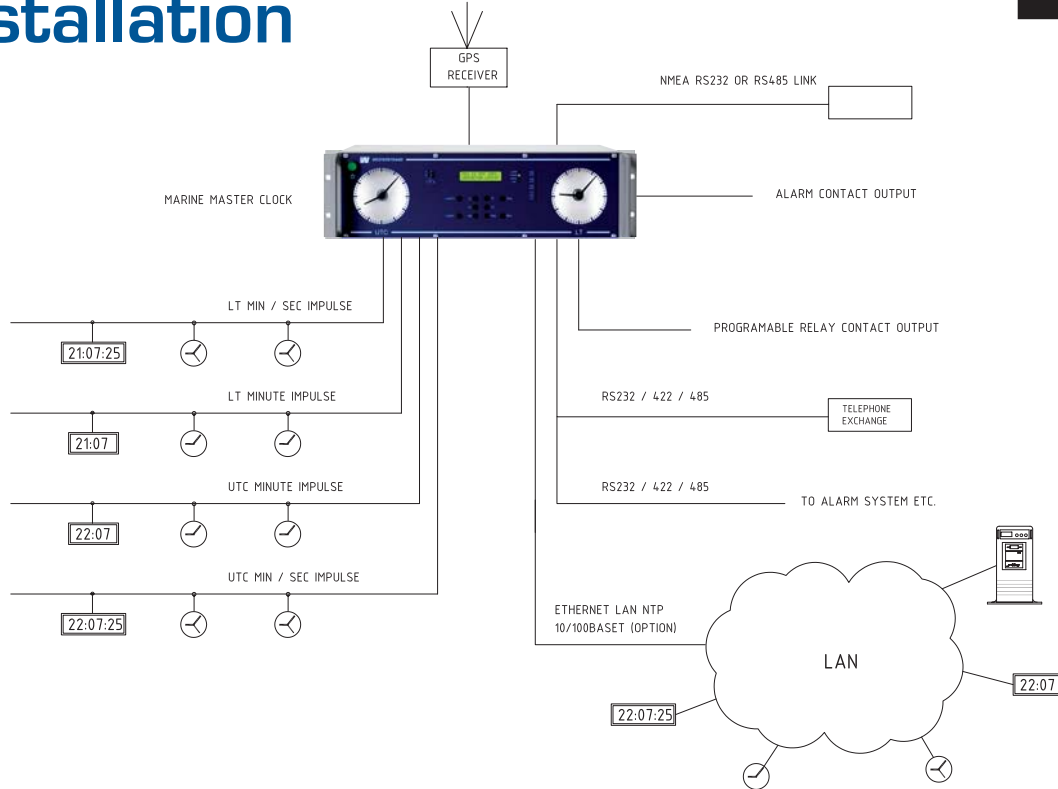
NMEA input

GPS, Ethernet and software as option

Rules and regulations acc. to IEC-EN60945:2002



Example of a Marine Time installation



MASTER CLOCK MARINE Art.no 123378-01

MASTER CLOCK MARINE Art.no 123378-11 - With Ethernet connection

Crystal frequency:	4,915200 MHz
Accuracy:	0,1 sec./24 hours (+20C°)
Microprocessor:	HD6412394
Time memory:	30 days (Back-up with Super Capacitor)
Ambient temperature:	0°C to +50°C
Relative humidity:	Max. 85% non-condensing
Case:	19" case in aluminium
IP rating:	IP20
Weight:	5.6 kg
Power Supply voltage:	90 - 264V 50/60 Hz and 24VDC
CE-approval, EMC:	Emission according to EN61000-6-3, Immunity according to EN61000-6-2
Serial outputs:	2 serial ports, one RS232 and one RS422/485
Alarm outputs:	2 Changeover potential-free contacts
Impulse Output 1-4:	2-wire, 1/1 minute, 1/2 minute, 1/1 second, 1/2 second, time code (TC)
Impulse Output 4:	3-wire for forward/back. 1/1-minute alt. 1/2-minute
	The outputs have a short circuit protection which is automatically restored
Type of time:	LT, UTC
Impulse length:	Minute 0.1-9.9 sec Second 0.1-1 sec
Max. load / output:	2A
Tot. load all outputs together:	2.5A
Max load/relay output:	230 V 6A.
Program memory:	100 year (EEPROM).
Signal points:	800
	<i>Relay output no. 2 can be dedicated to send out a special pulse.</i>
	<i>When this function is enabled, the relay is activated every day for 5 seconds at 02.00 UTC.</i>
	<i>For more technical data, see document 9539</i>