



DESCRIPTION – BASIC MODULE LED-300A ART NO 117220-62

Basic module LED-300A is a single sided Scoreboard for indoor sports, with **integrated team name, indication of team fouls in basketball and player change in volleyball**

The Scoreboard is intended for wall mounting.

The delivery includes:

- 1 pc. Multi-purpose scoreboard (indoor use)
- 1 pc. Siren (built in)
- 1 pc. Wall mounting kit according to drawing 079855-00
- 1 pc. Instruction
- 1 pc Hard wired remote

**SPORTS: ICE HOCKEY - HANDBALL - BASKETBALL - VOLLEYBALL - TENNIS – TABLE TENNIS
 BADMINTON – INDOOR FOOTBALL – FLOOR BALL - BOXING - WRESTLING
 WEIGHTLIFTING - WATERPOLO – TIME KEEPING - GENERAL USE**



Scoreboard with built-in siren and four selectable sports or ice hockey (extra sports optional). The design makes it suitable for most indoor sports and can also be combined with various add-on modules e.g. Shot Timers for 24-seconds rule in basketball, Penalty units etc. It is controlled from our self-instructing remote control unit with pre-programmed rules which adapt the control unit to each individual sport. The included remote control unit is hard wired, connection to Scoreboard acc to diagram on page 4.

Match/Game time	Count-up or down is indicated by four digits (minutes and seconds). As an option, regular day time can be indicated when no game is being played.
Game in progress/stopped	Indicated by green/red dot.
Score indication	000-999 (three digits per team)
Team name	4 characters/team (controlled from remote)
Period	1-9 (1 digit)
Penalty/Foul	Indicated by dots.
Team Foul/player change	Indicated by one digit per team.
Time-out	By two yellow dots per team. Count-down of time is indicated instead of match/game time (not in basketball).
Ball possession/serve	Indicated by one arrow per team
Siren	Built-in. Sounds automatically at finished game, time-out, break/pause and finished count-down of 24-seconds rule (basketball). By manually pressing a key, the siren can also sound at any other time.
Front cover	Non-reflective polycarbonate (DIN 18032) The front cover can be opened (equipped with hinges).

More detailed description of the function for each individual sports available on separate data sheets.

E 924A



We reserve the right to make changes at any time.

TECHNICAL DATA:

Case:	Aluminium profile
Colour of background:	Black
Front cover with hinges:	Polycarbonate, 3 mm
Digits:	LED's
Digit height:	Score, Time, = 300 mm Period, Team fouls = 250 mm
Colour of digits:	Yellow
Colour of matrix (team name):	Red
Size of dots:	Ø 40 mm
Colour of dots:	4 yellow, 3 red, 1 green
Exterior dimensions of case:	(WxHxD) 2200 x 1250 x 110 mm
Weight:	60 kgs.
Reading distance:	Approx. 150 metres
Connection voltage:	230V 50-60Hz AC
Power supply and electronics:	Built-in
Power consumption:	Electronics max. 200 VA
Ambient temperature:	± 0°C up to +40°C
Siren:	Built in, 117 dB

E 924 A

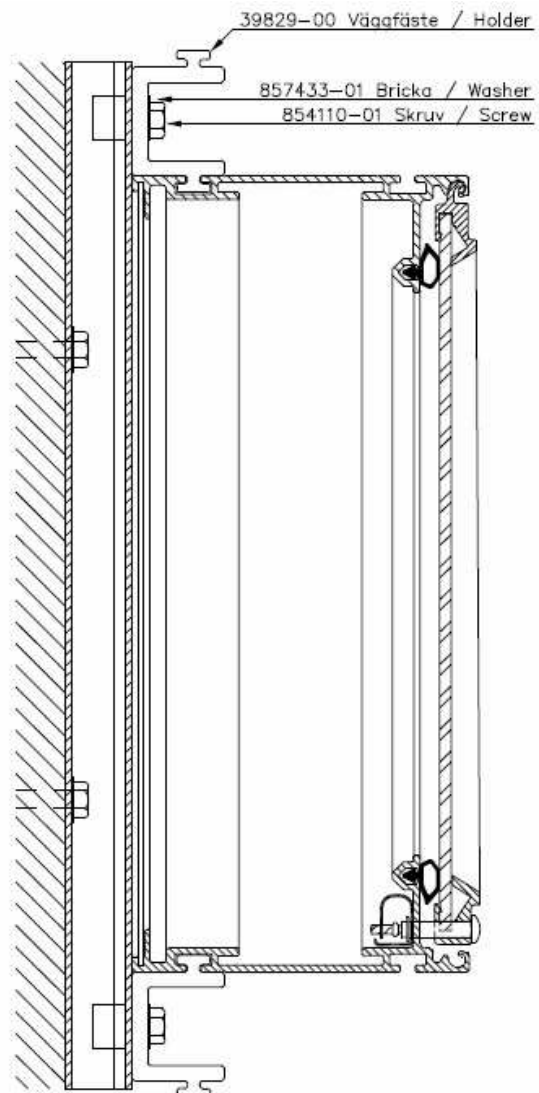
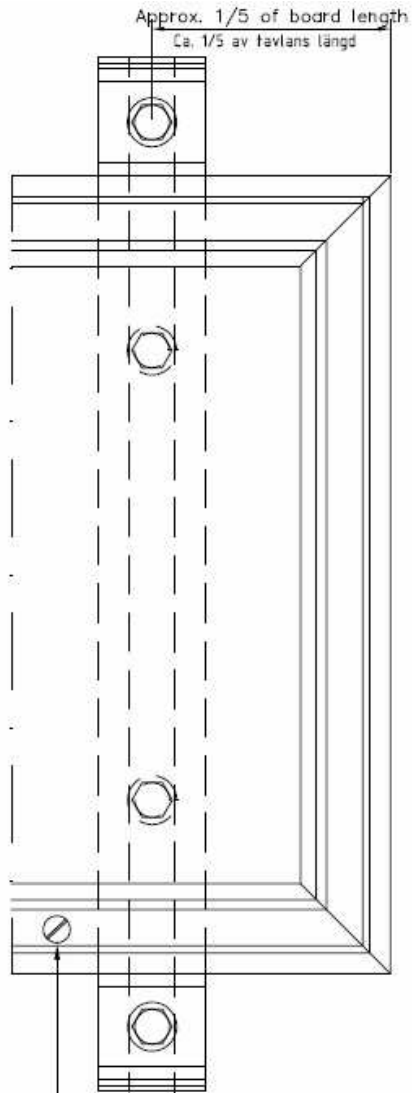
WESTERSTRAND URFABRIK AB Sweden

P.O. Box 133, SE-545 23 TÖREBODA
E-mail: info@westerstrand.se

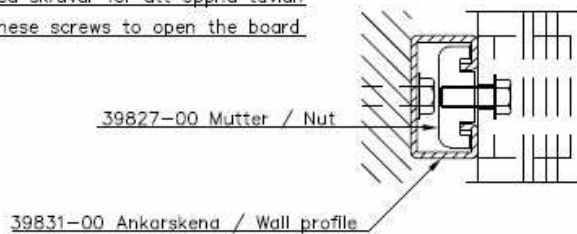
Tel. +46 506-480 00 Fax +46 506-48051
Internet: www.westerstrand.se



MOUNTING:



39822-00 Låsskruv / Locking screw
 39823-00 Bricka / Washer
 Lossa dessa skruvar för att öppna tavlan
 Unscrew these screws to open the board



E 924 A

WESTERSTRAND URFABRIK AB Sweden

P.O. Box 133, SE-545 23 TÖREBODA
 E-mail: info@westerstrand.se

Tel. +46 506-480 00 Fax +46 506-48051
 Internet: www.westerstrand.se



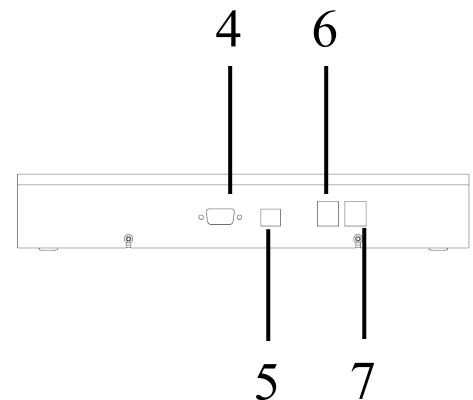
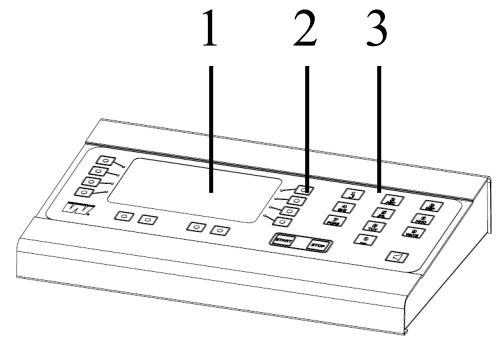
DESCRIPTION: REMOTE CONTROL UNIT BASIC 117600-05

The TFT display shows the same information as the Scoreboard.
Easy to use through pre-programmed international rules.

Remote control Art.No. 117600-05 for hardwired operation of Scoreboards

The delivery includes:

- 1 pc. 22497-00 Remote control unit with pre-programmed sports
- 1 pc. 40536-42 Connection box



1. TFT display (800 x 480 pixels)
2. Function keys
3. Numeric keys
4. D-sub connector
5. USB connector
6. Connector for 24-seconds control handle
7. Connector for start/stop handle

TECHNICAL DATA:

Exterior measurements:	(WxHxD) 295 x 195 x 50 mm.
Weight:	1,2 kgs
Ambient temperature:	± 0°C up to +40°C.
Colour	Black casing with blue overlay
Case:	Aluminium
Connection to basic module:	See block diagram on next page.3,0 metre cable with 5-polar audio connector and connection box are included in the shipment.

OPTION – see separate data sheets

- Start/Stop handle:
- Siren for medium and large halls
- Audio output – for siren
- RS 232 output
- Red/green referee lamps
- 114915-00 Bag for storage of remote

E 924A

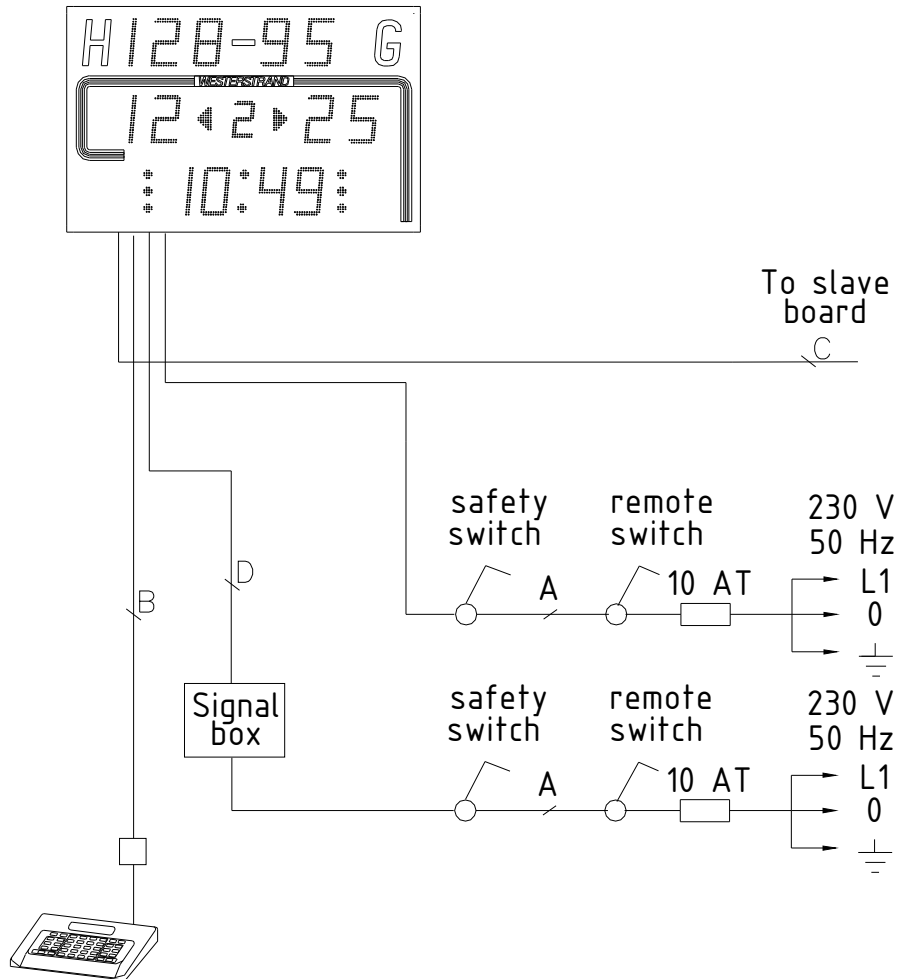
WESTERSTRAND URFABRIK AB Sweden

P.O. Box 133, SE-545 23 TÖREBODA
E-mail: info@westerstrand.se

Tel. +46 506-480 00 Fax +46 506-48051
Internet: www.westerstrand.se



CABLE DIAGRAM



cable length m	A	B	C	D
< 50	3 x 1,5	4 x 0,5		
< 100		4 x 1,0		
< 150		4 x 1,5		
< 250		4 x 2,5	Cat 5	Cat 5
remark		screened	UTP	UTP

We reserve the right to make changes at any time.

WESTERSTRAND URFABRIK AB Sweden

P.O. Box 133, SE-545 23 TÖREBODA
E-mail: info@westerstrand.se

Tel. +46 506-480 00 Fax +46 506-48051
Internet: www.westerstrand.se

E 924A