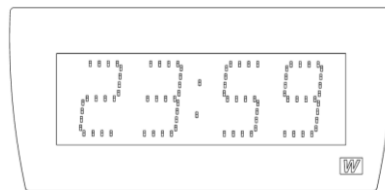
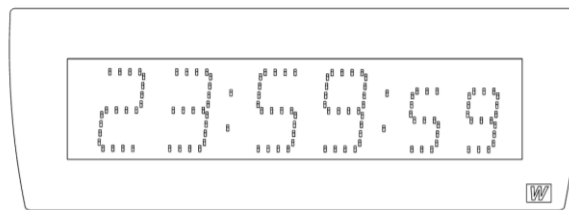




# Instructions

## AUREA III





## General

Digital clock is for indoor application with second has 6 digits and colon displaying time.

Digital clock is for indoor application without second has 4 digits and colon displaying time.

The digits for the second consist of 7 segments.

The Digital clock can be programmed for alternating time/temperature/date display in 0-25 sec intervals.

Temperature sensor is not included. It is an option.

The programming of time, Synchronisation and light intensity are made by push buttons, located at one side of the cover.

The digital clock can operate stand alone with a built in quartz crystal as time reference, as a slave clock to a master clock transmitting 24 V polarised 1/1 minute impulses or synchronised by TC, DCF.

If the DLS-function is set, the clock is changing, summer and winter time, the last Sunday in March and the last Sunday in October automatically.

The clock has adjustable light intensity.

If power failure occurs the display is turned off. The internal clock continues to keep the correct time for 48 hours. After power failure the display is turned on and correct time is shown.

If not specified in order the clocks are preset from factory in impulse Synchronisation mode.

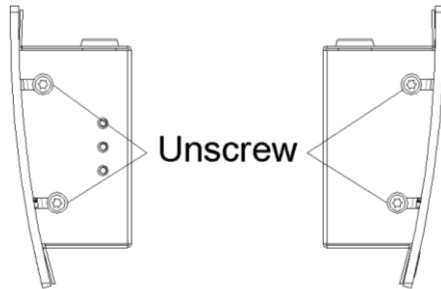
## Safety

Installation and maintenance of this device must be performed by accredited personnel.

This product must not be installed by unauthorized users/operators. Electrical installation of the equipment must comply with applicable electrical standards.

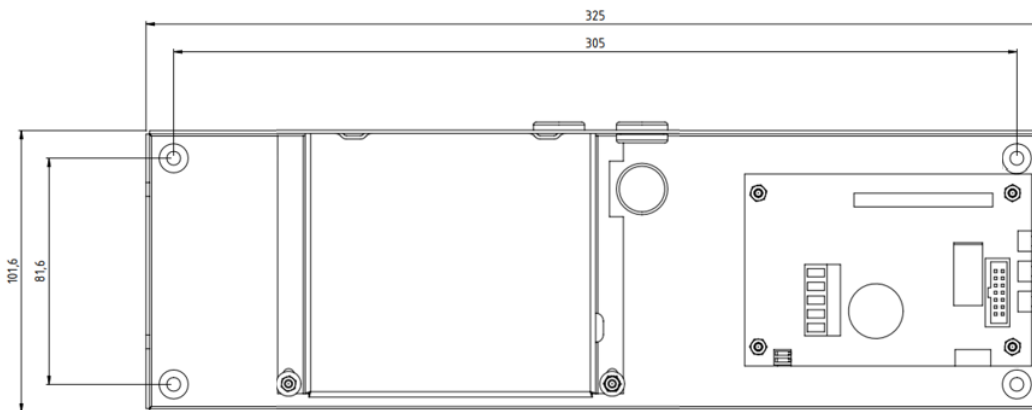
## Installation wall mounted

- Unscrew 4 screws, 2 pieces at each side.

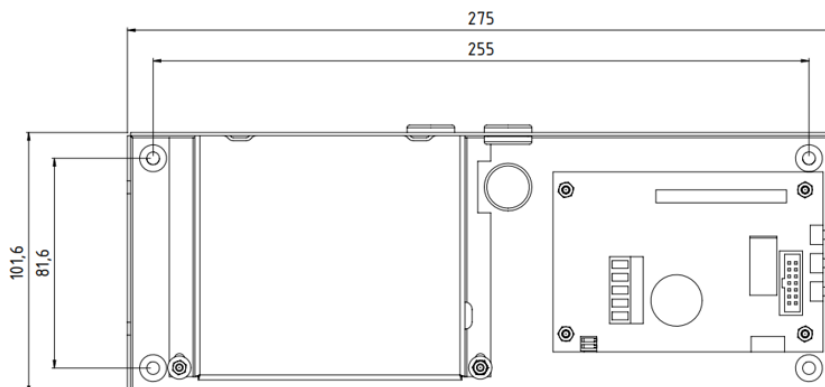


- Remove the front and mount the back plate on the wall, using 4 screws suitable for the wall. We recommend  $\text{Ø}4\text{mm}$  and 30mm long screws.

*AUREA III with second*

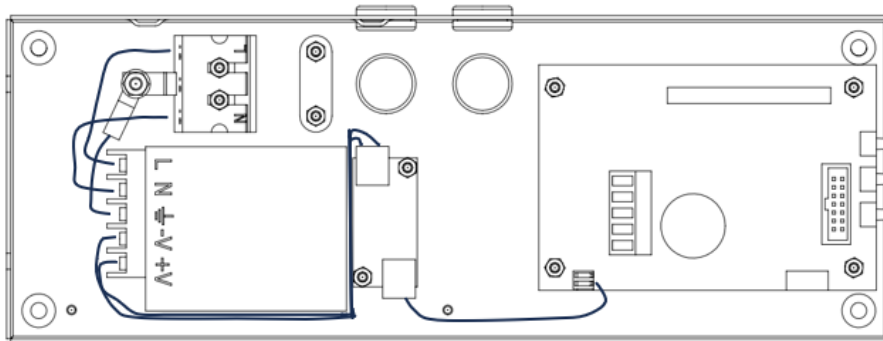


*AUREA III without second*

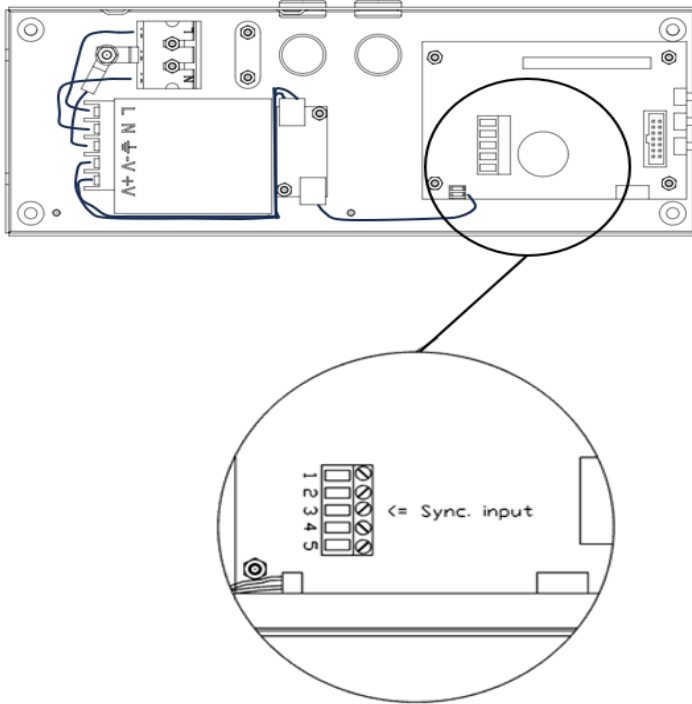


## Connection

- The connections are made on the inside of the back plate. Unscrew the cover and put aside without damaging the wire.
- If operated by synchronisation, check the strapping according to the drawing page 6 and 7. Connect the cables according the schema page 5.
- Disconnect power before hard installation. The cable must be double-insulated and stripped to a maximum of 3 cm. It must also be secured with the cable relief.
- Connect the power 230VAC, 50Hz.  
When the clock is permanently installed a readily accessible disconnect device shall be incorporated in the fixed wires (2-polar, 3mm contact gap).
- Screw back the inner cover
- Reassemble the front



### Connection Synchronisation wire



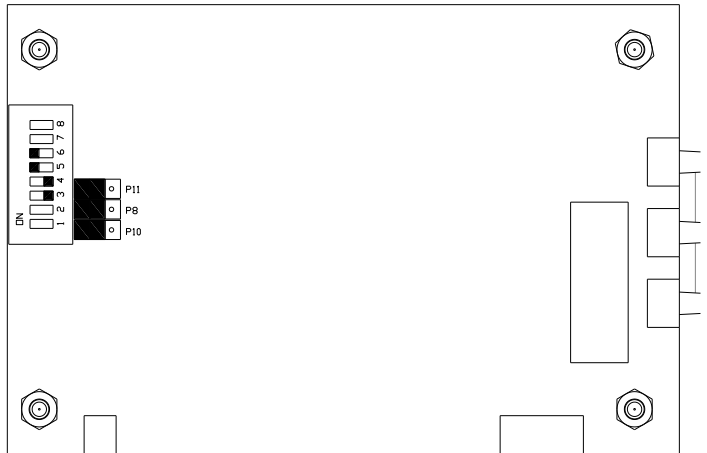
TC/MIN-imp 3,4

DCF 2-line 3 – V+, 5 – GND

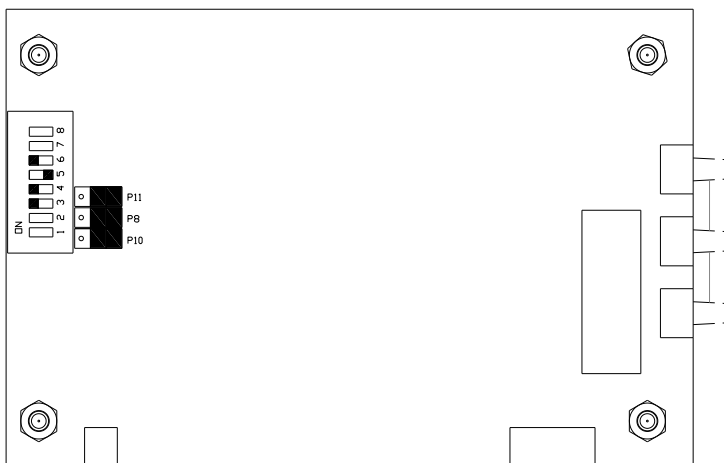
DCF 3-line 3 – V+, 4- DCF, 5 – GND



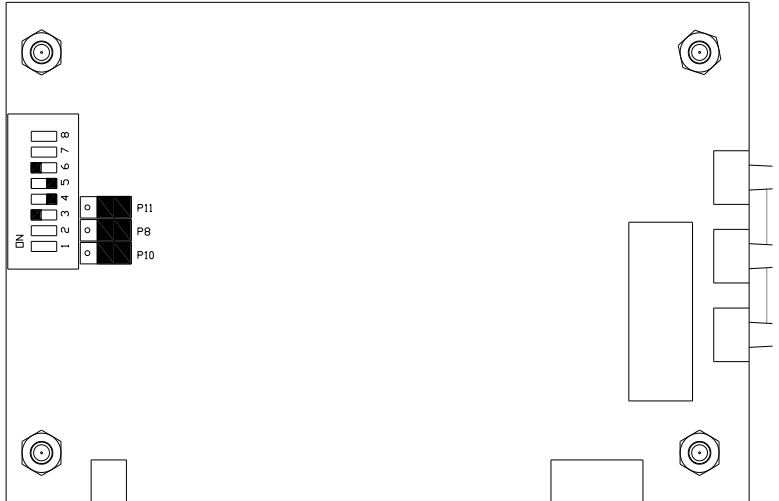
Strapping/DIP switch setting for TC / MIN-impulse (default)



Strapping/DIP switch setting for DCF-radio (2 -wire) computer board



**Strapping/DIP switch setting for DCF-radio (3 –wire) computer board**



The DIP-switch on the computer board should be set as follows:

Dip 1:	OFF	Display format is HH:MM.
	ON	Display format is HH:MM:SS.
Dip 2:	OFF	always OFF
Dip 3:	OFF	TC/Min impulse-synchronisation. (default)
	ON	DCF synchronisation.
Dip 4:	OFF	TC/Min impulse or 3-wire DCF synchronisation. (default)
	ON	2-wire DCF synchronisation.
Dip 5:	OFF	DCF synchronisation.
	ON	TC/Min impulse synchronisation.(default)
Dip 6:	OFF	½ Min impulse synchronisation.
	ON	TC/Min impulse synchronisation or DCF synchronisation. (default)
Dip 7:	OFF	always OFF
Dip 8:	OFF	always OFF



## Synchronisation

### Stand-alone

If the clock does not have an external synchronisation, it operates Stand-alone.

### Minute impulse

Make the strapping according to the drawing for strapping page 7.

Connect the minute impulse wire according to the schema page 5 or 6.

The clock can be set in synchronisation or slave mode.

#### Synchronisation mode:

Set the clock for synchronisation, mode InSy See programming page 11.

Set time and wait for next minute impulse. The clock will be synchronised

#### Slave mode:

Set the clock for slave, mode InSL See programming page 11.

Set time and wait for next minute impulse. The clock operates as a slave clock.

### TC

Check the strapping according to the drawing for strapping page 7.

Connect the TC wire according to the schema page 5 or 6.

Set the clock for synchronisation, function DCF See programming page 11.

When a correct time message appears the clock sets the time.

The clock will blink colon when it is in sync and accepts transmitted code.

### DCF

Check the strapping according to the drawing for strapping page 8.

Connect the DCF wire according to the schema page 5 or 6.

Set the clock for synchronisation, function DCF See programming page 11.

When a correct time message appears, the clock sets the time.

The clock will blink colon when it is in sync and accepts transmitted code.

---

## WESTERSTRAND URFABRIK AB

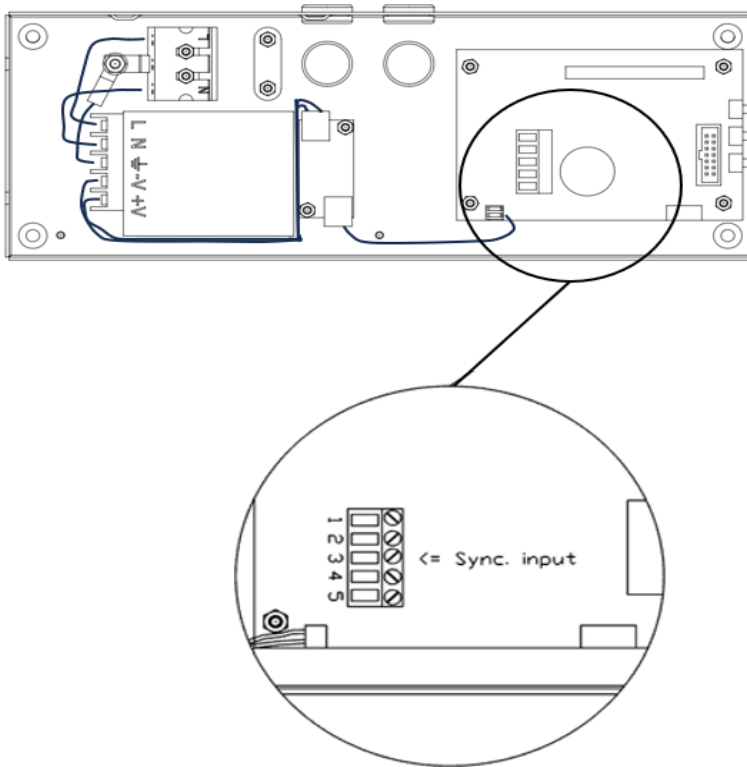
P.O. Box 133  
SE-545 23 TÖREBODA

Tel. +46 506 48000  
Fax. +46 506 48051

Internet: <http://www.westerstrand.se>  
E-mail: [info@westerstrand.se](mailto:info@westerstrand.se)



## Connection temperature sensor (this is an option).



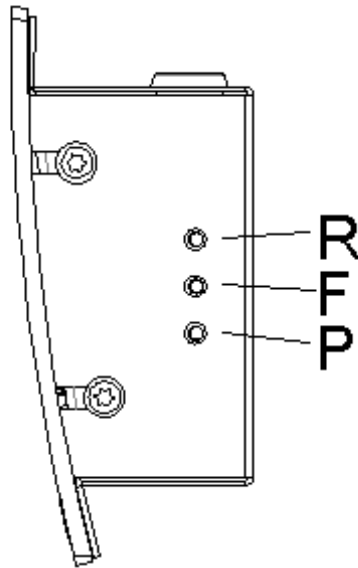
### Temperature sensor connection

1. Brown
2. Black
5. Screen



## Programming

The programming is made by push buttons (see below).



**R (Return)** Enter the base mode (display time)

**F (Function)** Next function / Accept displayed value

**P (Program)** Enter the displayed function / Increase displayed value.



## programming time

Push [F] until display shows:

Push [P] display shows:  year.

Push [P] until desired year (00-99)  
Accept with [F].

Display shows:  month.

Push [P] until desired month (1-12).  
Accept with [F].

Display shows:  day

Push [P] until desired date (1-31).  
Accept with [F].

Display shows:  hour

Push [P] until desired hour (0-23). Accept with [F].

Display shows:  minute

Push [P] until desired minute (00-59). Push [F] for synchronisation and the clock starts

Display shows:

Push [R]. The Programming is finished.

Display shows:

---

### WESTERSTRAND URFABRIK AB

P.O. Box 133  
SE-545 23 TÖREBODA

Tel. +46 506 48000  
Fax. +46 506 48051

Internet: <http://www.westerstrand.se>  
E-mail: [info@westerstrand.se](mailto:info@westerstrand.se)



## Setting light intensity

The light intensity for the digits can be adjusted in 8 levels.  
An automatic dimmer function regulates the light intensity.

Push [F] until display shows:

di sp

Push [P]

Display shows:

di 1

. Light intensity 1 (weakest) - 8 (strongest)

Push [P] for desired light intensity. Accept with [F].

Display shows:

Sy nc

Push [R] for entering base mode or push [F] for next function.

## Setting synchronisation

Synchronisation for this model is minute impulse, TC, DCF (or stand alone).

Push [F] until display shows:

Sy nc

Push [P] until desired synchronisation.

no sy

No synchronisation, stand alone

dcf

TC or DCF

InSy

Impulse synchronisation

InSL

Impulse slave

Push [R] for entering base mode or push [F] for next function.



### Setting alternating time, Loop time

Push [F] until display shows:

Push [P].

Display shows:  Alternating time for display time is 4 seconds.

Push [P] for desired alternating time (0-25). Accept with [F].

Display shows:  Alternating time for display temp. is 0 seconds.

Push [P] for desired alternating temperature (0-25). Accept with [F].

Display shows:  Alternating time for display date is 4 seconds.

Push [P] for desired alternating time (0-25). Accept with [F].

Push [R] for entering base mode or push [F] for next function.

### Setting Correction value for the temperature sensors.

With this function the temperature sensors can be adjusted  $\pm 9$  °C.

Push [F] until display shows:

Push [P]:

Display shows:

Push [P] for desired correction value ( $\pm 9$  °C). Accept with [F].

Push [R] for entering base mode or push [F] for next function.

---

#### WESTERSTRAND URFABRIK AB

P.O. Box 133  
SE-545 23 TÖREBODA

Tel. +46 506 48000  
Fax. +46 506 48051

Internet: <http://www.westerstrand.se>  
E-mail: [info@westerstrand.se](mailto:info@westerstrand.se)



### Setting DLS-function.

With this function the DLS can be activated.

Push [F] until display shows:

Push [P].

Display shows:

Or:

Push [P] for DLS or not.

Push [R] for entering base mode or push [F] for next function.

### Setting 12/24 h format.

With this function the format 12/24 hours display can be set.

Push [F] until display shows:

Push [P].

Display shows:  12 hour format

Or:  24 hour format

Push [P] for desired format.

Push [R] for entering base mode or push [F] for next function.



## Technical specification

Mains	90-264 VAC, 50/60 Hz
Rated Connection Current:	0.4 A (HH:MM:SS) 0.35 A (HH:MM)
Temperature range	0° - +40° C
Size of digits HH:MM	50 mm, red, green, yellow SMD LED:s
Size of digits :SS	37 mm, red, green, yellow SMD LED:s
Synchronisation	Polarised 24V impulse 1/1, TC, DCF
Accuracy	± 0.1 sec/24 hour
Dimensions(WxHxL)	371x131x57mm (HH:MM:SS) 276x131x57 (HH:MM)
Running reserve	48 hour
Changing Summer/ Winter	Last Sunday in march, last Sunday in October.
Measure range temperature sensor	-30° - +60°
Accuracy temperature sensor	± 1° C
Temperature measurement	Once per minute

### WESTERSTRAND URFABRIK AB

P.O. Box 133  
SE-545 23 TÖREBODA

Tel. +46 506 48000  
Fax. +46 506 48051

Internet:: <http://www.westerstrand.se>  
E-mail: [info@westerstrand.se](mailto:info@westerstrand.se)