

Westerstrand Time System



Analogue Clocks type TIME CODE



Westerstrand analogue clocks type **TIME CODE** are operated and controlled by serial time code (containing information about year, month, day, hour and minute) from Westerstrand Master Clock with time code output. This type of Master Clock provides, in combination with the time code, also 24VDC supply to the analogue clocks. Each clock movement has its own microprocessor to receive the time code, detecting the position of the hands and thereafter automatically set the hands to correct time.

Each clock of a time code system is connected to a 2-wire bus, which combines 24VDC voltage feeding and the serial time code. This combination of voltage and time code on the same pair of wires makes both cable laying and installation easier. Also exchanging slave clocks in an old system using polarised 24VDC impulses is easily made as the existing cable can be used.

Technical information

The clock is connected to the 2-wire bus. The hour- and minute hands are automatically, and rapidly, set to 12-position and remain there while waiting for correct time information to be received through the time code.

When the movement has received, and accepted, a time code, the hands are automatically, and rapidly, forwarded to correct time. The speed at automatic rapid setting is one minute per second.

Example: to rapidly forward the movement hands one hour, takes 60 seconds.

The baudrate of the time code is low, only 1 bit/second. This ensures that no high demands are set to the cable used at installation.

Automatic control of the hands position at 12.00. The 12-position is detected by magnets and hall sensors.

In the event of a power failure, the clock is temporarily stopped.

When power returns the hands will automatically, and rapidly, be set to 12-position and thereafter to correct present time.

Technical data

Power supply:	Secondary Clocks to be operated by 24VDC combined with serial Time Code from Westerstrand Master Clock or Time Central.
Sizes:	Dia. 600mm
Housing:	Aluminum, powder coated in RAL 850-M
Dial face:	White dial with either black numerals 1-12 (A-dial) or with black hour marks (H-dial).
Illumination:	Not available
Hands:	Black hours- and minute hand.
Protection:	Flat protection glass of polycarbonate, 4mm.
Mounting:	Single sided for surface wall mounting, with or without backside. Without backside only for indoor use.
IP rating:	IP20 without backside and IP23 with backside
CE-approval EMC	Emission: EN 50121-4:2016, EN 61000-6-3:2007 Immunity: EN 50121-4:2016, EN 61000-6-2:2005, EN 61000-4-2, -3, -4, -5, -6, -11

E453A

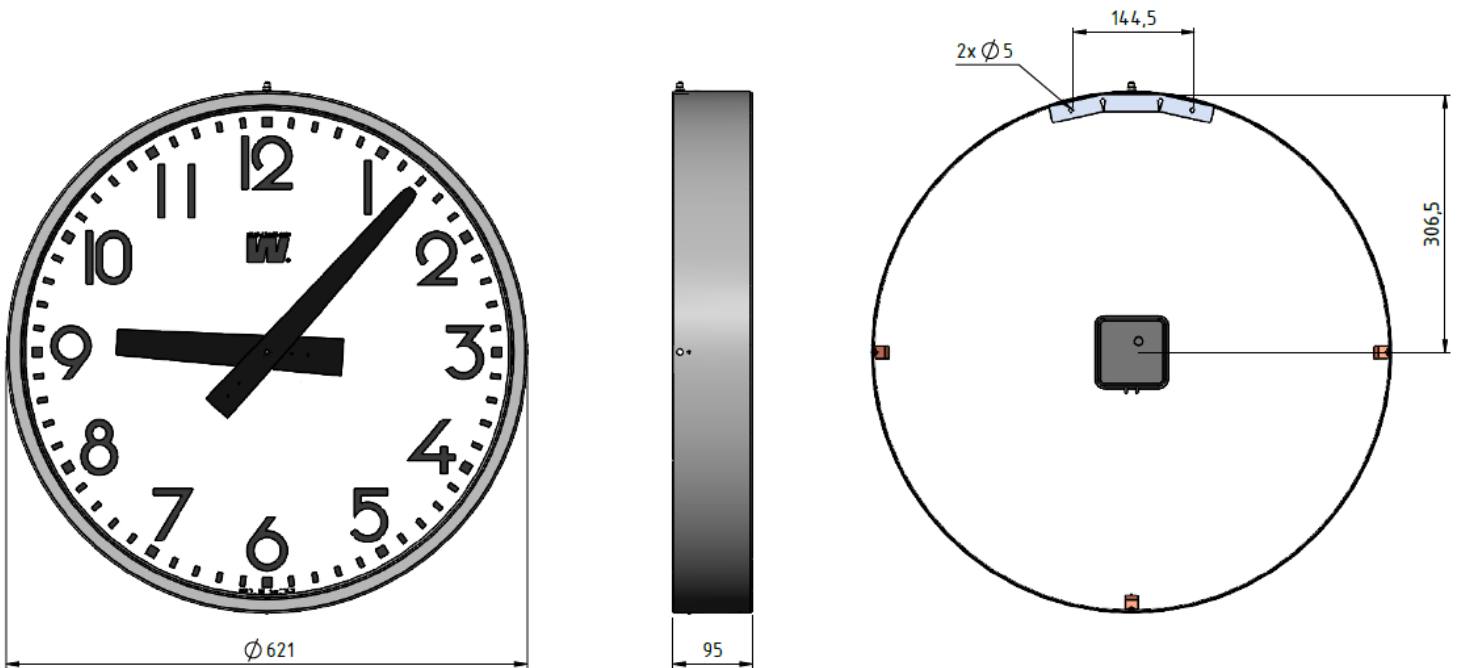
WESTERSTRAND URFABRIK AB Sweden

P.O. Box 133, SE-545 23 TÖREBODA
E-mail: info@westerstrand.se

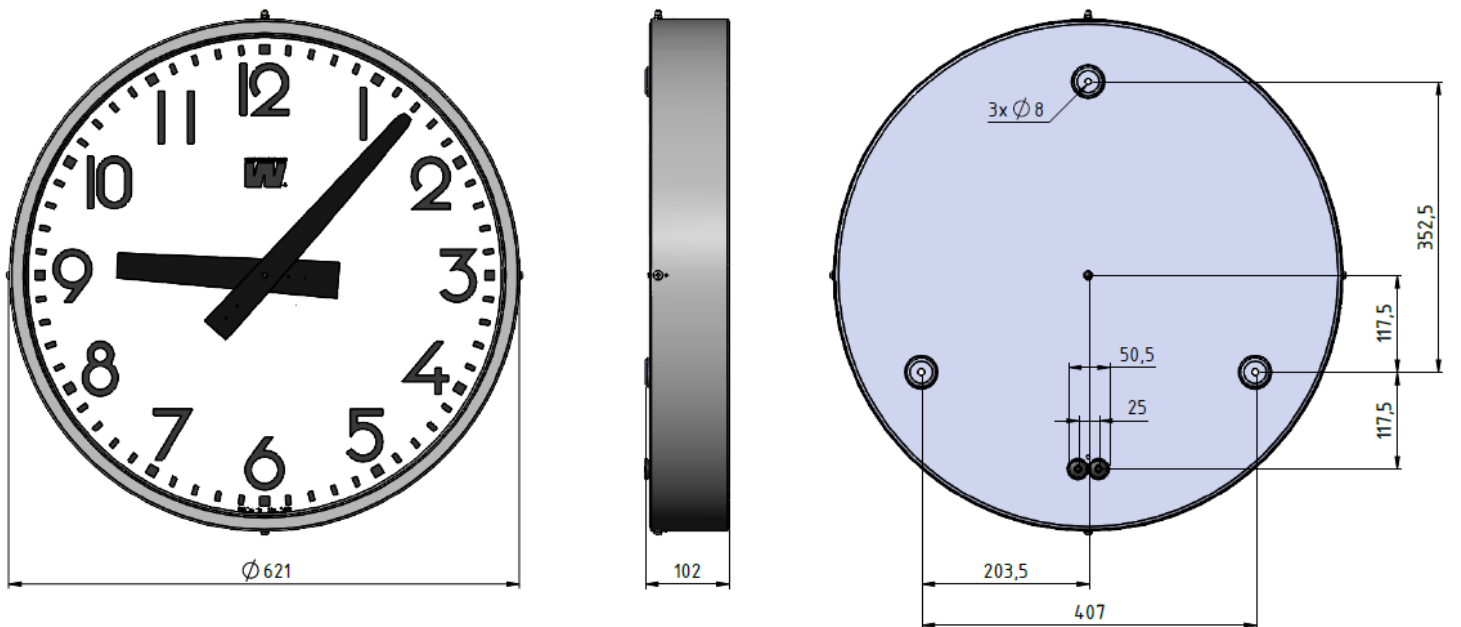
Tel. +46 506 480 00
Internet: www.westerstrand.se

Dimension

Without backside



With backside



E453A

We reserve the right to make changes at any time

WESTERSTRAND URFABRIK AB Sweden

P.O. Box 133, SE-545 23 TÖREBODA
E-mail: info@westerstrand.se

Tel. +46 506 480 00 Fax +46 506 48051
Internet: www.westerstrand.se