

## Round Analogue Slave Clocks in ALUMINUM



- Dial face:** Dial face type A = numerals 1-12 and minute marks in black on white background.  
Dial face type H = hour- and minute marks in black on white background.  
Internally illuminated clocks with dial face of white acrylic plastic.
- Hands:** Hour- and minute hand (black) or hour-, minute (black) and sweeping seconds hand (red).
- Housing:** Aluminum painted in dustgrey RAL 7037
- Operation method:** Slave Clock to be operated by 24VDC polarized reversing 1/1-minute impulses (or 1/2 min. impulses) from Westerstrand Master Clock or Time Central.  
Slave Clocks with sweeping seconds hand also require mains supply 230VAC, battery (quartz)
- Protection glass:** Convex acrylic plastic. Impact-resistant protection of polycarbonate available as option.
- Protection class:** Outdoor = IP54, Indoor = IP52
- Design:** With or without internal LED- illumination.  
Single sided for surface wall mounting.  
Double sided including bracket for either wall mounting or hanging/standing installation.  
Pole mounting installation device available as option.  
Final mounting/installation to be advised by client.

### Single sided for surface wall mounting

Size	Type of dial face	Indoor min.imp	Indoor with Seconds hand min.imp. + 230VAC	Outdoor min.imp.	Outdoor with seconds hand min. imp + 230VAC	Outdoor/Indoor Illuminated *) min.imp. + 230VAC	Outdoor/Indoor Illuminated*) With seconds hand min.imp. + 230VAC
400	A (numerals)		1041124-00	1141120-00	1141124-00	1142120-50	1142124-50
400	H (marks)		1043124-00	1143120-00	1143124-00	1144120-50	1144124-50
600	A (numerals)	1061120-00	1061124-00	1161120-00	1161124-00	1162120-50	1162124-50
600	H (marks)	1063120-00	1063124-00	1163120-00	1163124-00	1164120-50	1164124-50
800	A (numerals)	1081120-00	1081124-00	1181120-00	1181124-00	1182120-50	1182124-50
800	H (marks)	1083120-00	1083124-00	1183120-00	1183124-00	1184120-50	1184124-50
900	A (numerals)	1091120-00	1091124-00	1191120-00	1191124-00	1192120-50	1192124-50
900	H (marks)	1093120-00	1093124-00	1193120-00	1193124-00	1194120-50	1194124-50

**Double sided** including bracket for either wall mounting, standing on roof or hanging from ceiling.

Alternative/option to bracket can be offered on request

N.B! Final mounting/installation to be advised by client.

Size	Type of dial face	Outdoor/Indoor min.imp.	Outdoor/Indoor with seconds hand min.imp. + 230VAC	Outdoor/Indoor Illuminated *) min.imp. + 230VAC	Outdoor/Indoor Illuminated *) with seconds hand min.imp. + 230VAC
400	A (numerals)	1441120-00	1441124-00	1442120-50	1442124-50
400	H (marks)	1443120-00	1443124-00	1444120-50	1444124-50
600	A (numerals)	1461120-00	1461124-00	1462120-50	1462124-50
600	H (marks)	1463120-00	1463124-00	1464120-50	1464124-50
800	A (numerals)	1481120-00	1481124-00	1482120-50	1482124-50
800	H (marks)	1483120-00	1483124-00	1484120-50	1484124-50
900	A (numerals)	1491120-00	1491124-00	1492120-50	1492124-50
900	H (marks)	1493120-00	1493124-00	1494120-50	1494124-50

## TECHNICAL DATA

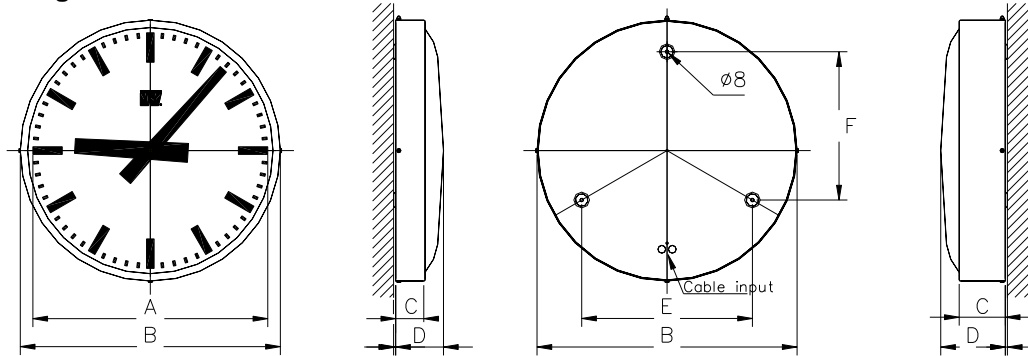
### Viewing distance:

Ø 400 mm = 35 meters  
 Ø 600 mm = 65 meters  
 Ø 800 mm = 80 meters  
 Ø 900 mm = 100 meters

### Power consumption at 24VDC impulse:

Single sided = 15 mA  
 Double sided = 30 mA

### Single sided

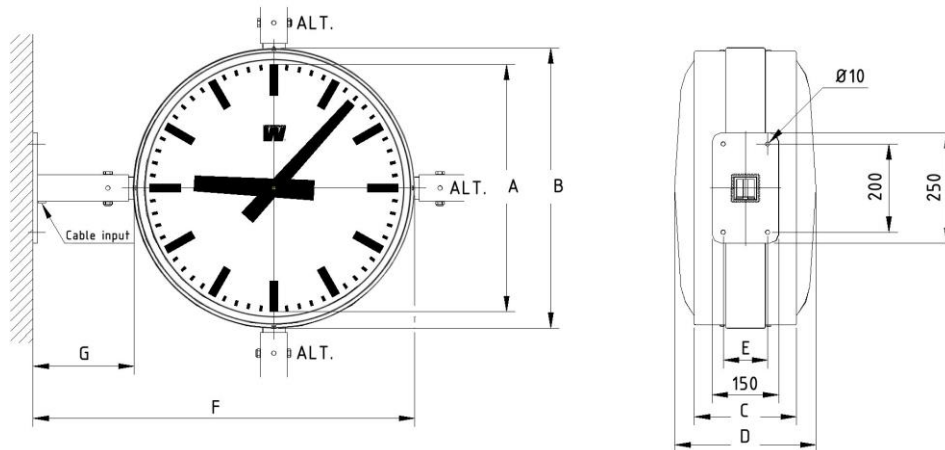


SINGLE SIDED	Size	A	B	C	D	E	F	Weight
	Ø 400	Ø 380	Ø 406	70	95	255	222	1,5
Ø 600	Ø 560	Ø 620	70	115	407	352	5,0	
Ø 800	Ø 760	Ø 820	70	125	580	502	8,5	
Ø 900	Ø 860	Ø 920	70	125	667	577	10,0	

SINGLE SIDED Illuminated	Size	A	B	C	D	E	F	Weight
	Ø 400	Ø 380	Ø 406	110	135	255	222	2,5
Ø 600	Ø 560	Ø 620	110	155	407	352	6,5	
Ø 800	Ø 760	Ø 820	110	165	580	502	10,0	
Ø 900	Ø 860	Ø 920	110	165	667	577	11,5	

### Double sided



DOUBLE SIDED	Size	A	B	C	D	E	F	G	Weight
	Ø 400	Ø 380	Ø 425	230	275	75	625	200	4,0
Ø 600	Ø 560	Ø 635	230	320	100	860	225	12,0	
Ø 800	Ø 760	Ø 835	230	340	100	1060	225	17,0	
Ø 900	Ø 860	Ø 935	230	340	100	1160	225	19,5	

DOUBLE SIDED Illuminated	Size	A	B	C	D	E	F	G	Weight
	Ø 400	Ø 380	Ø 425	230	275	75	625	200	4,5
Ø 600	Ø 560	Ø 635	230	320	100	860	225	13,5	
Ø 800	Ø 760	Ø 835	230	340	100	1060	225	18,0	
Ø 900	Ø 860	Ø 935	230	340	100	1160	225	21,0	

We reserve the right to make changes at any time.

WESTERSTRAND URFABRIK AB Sweden

P.O. Box 133, SE-545 23 TÖREBODA  
E-mail: info@westerstrand.se

Tel +46 506 480 00 Fax +46 506 480 51  
Internet: www.westerstrand.se