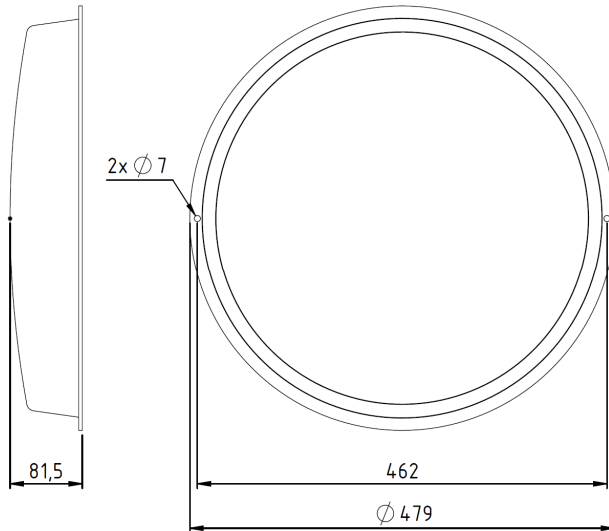


Westerstrand Protection for Clocks

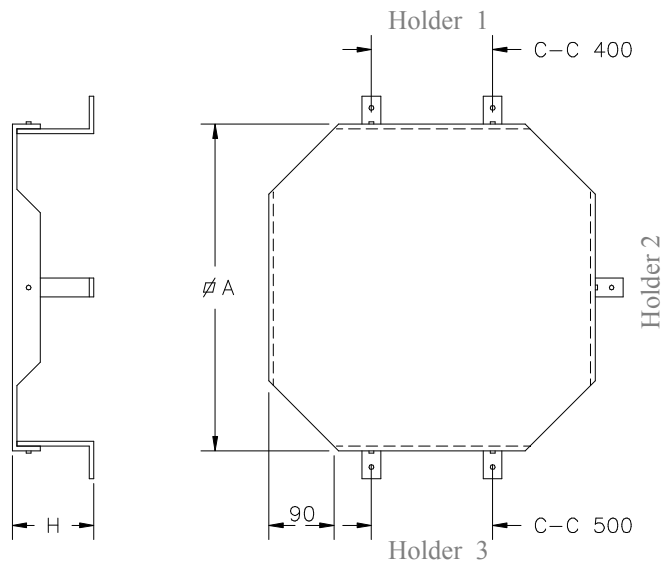


Cupola of plexiglass

Art.No 111287-66

Protective cap of plexiglass for indoor clocks of max. Ø 400 mm. Meant to be mounted as protection against damage, i.e. knocks etc.

The cupola is mounted by means of two retaining screws against the wall. Is produced of 4 mm neutral acryl plastic.



Protection Cover

Protection cover for indoor/outdoor mounting.

The protection cover is mounted according to drawing and table. Is produced of 4 mm polycarbonat.

Art.No	A	H	Holder type/ quantity	Weight	Clock size	
					Round	Square
111270-00	295	90	2 / 4	0,4	Ø230	--
111272-00	365	90	2 / 4	0,7	Ø300	230
111274-00	465	90	2 / 4	1,2	Ø400	300
111275-00	565	90	2 / 4	1,7	--	400
111276-00	700	160	1+2 / 6	3,0	Ø600	(600)
111276-01	700	235	1+2 / 6	3,1	Ø600(Illum)	((600 (Illum.))
111278-00	975	160	3 / 8	5,5	Ø900	600/900
111278-01	975	235	3 / 8	5,7	Ø900(Illum)	600/900(Illum.)

E 490 B

WESTERSTRAND URFABRIK AB Sweden

P.O. Box 133, SE-545 23 TÖREBODA
E-mail: info@westerstrand.se

Tel. +46 506-480 00 Fax +46 506-48051
Internet: www.westerstrand.se