



**DESCRIPTION – BASIC LED250 ICEHOCKEY**

**ART NO 117621-14**

Basic module is a single sided Scoreboard for indoor sports

The delivery includes:

- 1 pc. Multi-purpose scoreboard with built in siren (indoor use)
- 1 pc. Wall mounting kit according to description 2582
- 1 pc. Instruction 2570
- 1 pc. Remote wireless with radio receiver for the scoreboard

SPORTS: ICE HOCKEY



The design makes it suitable for ice hockey/handball/floorball and can also be combined with various add-on modules e.g. Penalty units.

It is controlled from our self-instructing remote control unit with pre-programmed rules adapt the control unit to each individual sport.

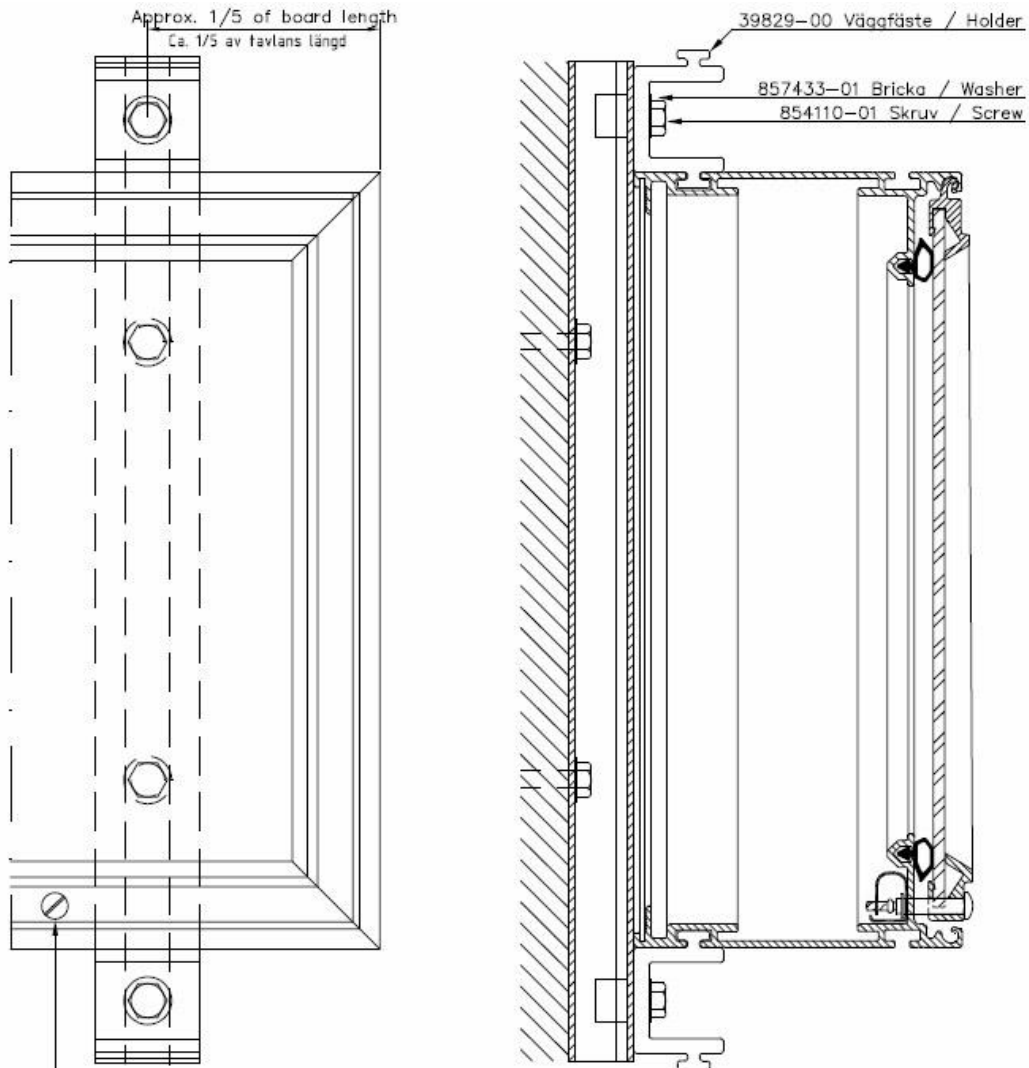
The included remote control unit is wireless.

<b>Match/Game time</b>	Minutes and seconds, four digits, count-up or down Local day time can be indicated when no game is being played
<b>Game in progress/stopped</b>	Indicated by green/red dot.
<b>Score indication</b>	00-99 (two digits per team)
<b>Period</b>	1-9
<b>Time-out</b>	Count-down of time is indicated instead of match/game time (not in basketball), and by dots
<b>Siren</b>	Built-in. Sounds automatically at finished game, time-out and break pause. By manually pressing a key, the siren can also sound at any requested time
<b>Maintenance</b>	The electronic can easily be removed by loosen two screws in the bottom of the scoreboard.

**More detailed description of the function for each individual sports available on separate data sheets.**



## MOUNTING



39822-00 Låsskruv / Locking screw

39823-00 Bricka / Washer

Lossa dessa skruvar för att öppna tavlan

Unscrew these screws to open the board

39827-00 Mutter / Nut

39831-00 Ankarskena / Wall profile

E 8635 D

**WESTERSTRAND URFABRIK AB Sweden**

P.O. Box 133, SE-545 23 TÖREBODA  
E-mail: info@westerstrand.se

Tel. +46 506-480 00 Fax +46 506-48051  
Internet: www.westerstrand.se



#### TECHNICAL DATA:

Case:	Aluminium, black
Front:	Polycarbonate, 3mm
Digits:	LED's (SMD)
Digit height: (period)	250 mm (score and time), 190mm
Colour of digits:	Red / Yellow
Colour of fixed text:	Yellow
Size of dots:	Ø 45mm
Colour of dots:	2 yellow and 1 red / team 1 green and 1 red for indication game in progress/stopped
Exterior dimensions of case:	(WxHxD) 2000 x 1250 x 110 mm
Weight:	48 kgs
Reading distance:	Approx. 120 metres
Connection voltage:	230V 50-60 Hz AC
Power supply and electronics:	The electronic can easily be removed by loosen two screws in the bottom of the scoreboard.
Power consumption:	Max. 160 VA
Ambient temperature:	-20° C up to +50°C
Siren:	Built in, 105 dB



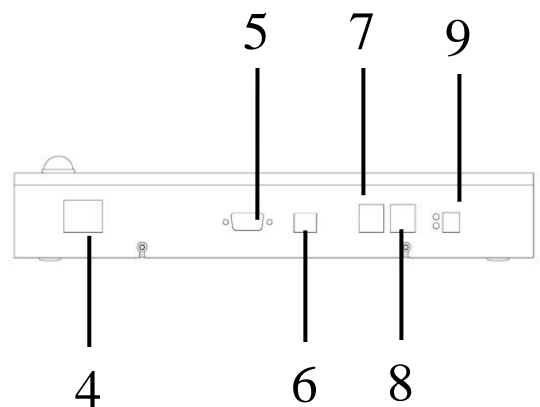
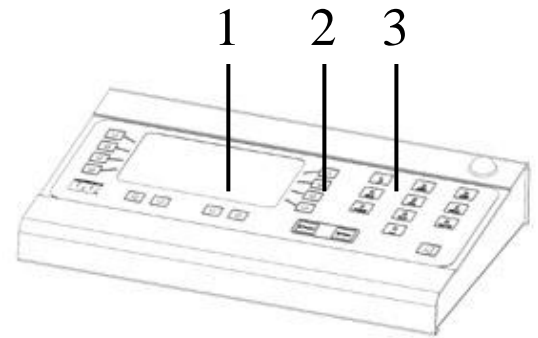
**DESCRIPTION: REMOTE CONTROL UNIT BASIC 117600-15**

The TFT display shows the same information as the Scoreboard.  
Easy to use through pre-programmed international rules.

**Remote control Art.No. 117600-15 for wireless operation of Scoreboards**

The delivery includes:

- 1 pc. Remote control unit wireless with pre-programmed sports
- 1 pc. Receiver for the Scoreboard



- 1. TFT display (800 x 480 pixels)
- 2. Function keys
- 3. Numeric keys
- 4. Switch on/off
- 5. D-sub connector
- 6. USB connector
- 7. Connector for start/stop handle
- 8. Connector for 24-seconds control handle
- 9. Power connection incl. LED charge indicator, Battery eliminator is included

**TECHNICAL DATA:**

Exterior measurements:	(WxHxD) 295 x 195 x 50 mm.
Weight:	1,2 kgs
Ambient temperature:	± 0°C up to +40°C.
Colour	Black casing with blue overlay
Case:	Aluminium
Connection to basic module:	Wireless 2.4 GHz
Mains Power:	230VAC
Battery:	Built in (approx 10h)

**OPTION – see separate data sheets**

- Start/Stop handle:
- Siren for medium and large halls
- Audio output – for siren
- RS 232 output
- Red/green referee lamps
- 114915-00 Bag for storage of remote

E 8635 D

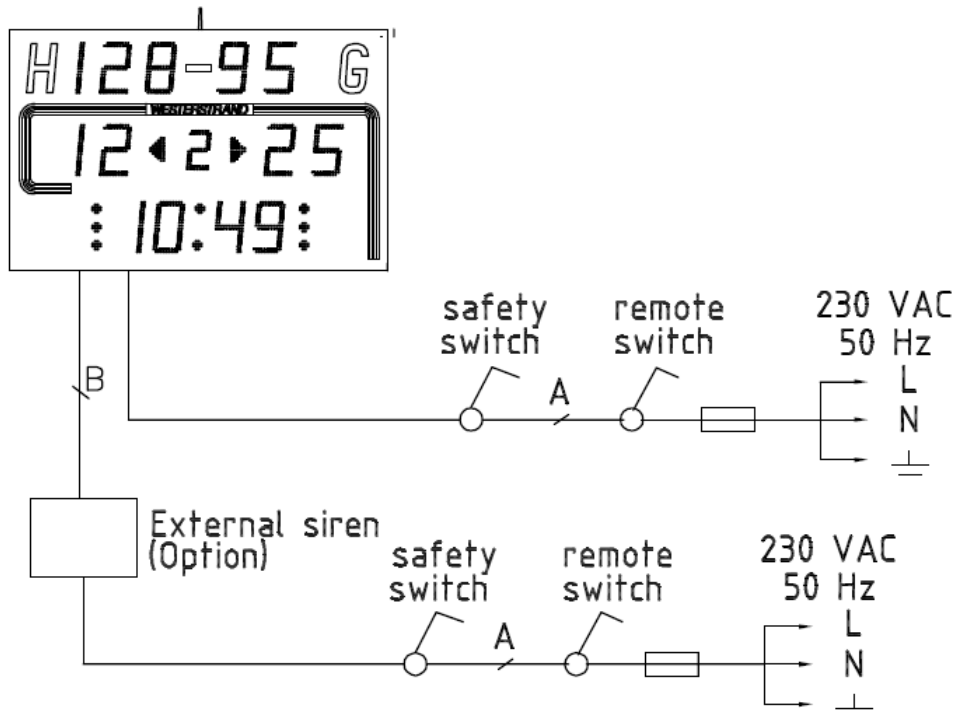
**WESTERSTRAND URFABRIK AB Sweden**

P.O. Box 133, SE-545 23 TÖREBODA  
E-mail: info@westerstrand.se

Tel. +46 506-480 00 Fax +46 506-48051  
Internet: www.westerstrand.se



**CABLE DIAGRAM**



cable length m	A	B
< 50		2 x 0,5
< 100		
< 150		
< 250		
connect. diagr.	086363-02	086363-20
remark		

We reserve the right to make changes at any time.

E 8635 D

**WESTERSTRAND URFABRIK AB Sweden**

P.O. Box 133, SE-545 23 TÖREBODA  
E-mail: info@westerstrand.se

Tel. +46 506-480 00 Fax +46 506-48051  
Internet: www.westerstrand.se