



DESCRIPTION – BASIC LED190 ICEHOCKEY

ART NO 117601-14

Basic module is a single sided Scoreboard for indoor sports

The delivery includes:

1 pc. Multi-purpose scoreboard with built in siren (indoor use)

1 pc. Wall mounting kit according to description 2582

1 pc. Instruction 2570

1 pc. Remote wireless with radio receiver for the scoreboard

SPORTS: ICE HOCKEY



The design makes it suitable for ice hockey, handball, floorball and can also be combined with various add-on modules e.g. Penalty units

It is controlled from our self-instructing remote control unit with pre-programmed rules adapt the control unit to each individual sport.

The included remote control unit is wireless.

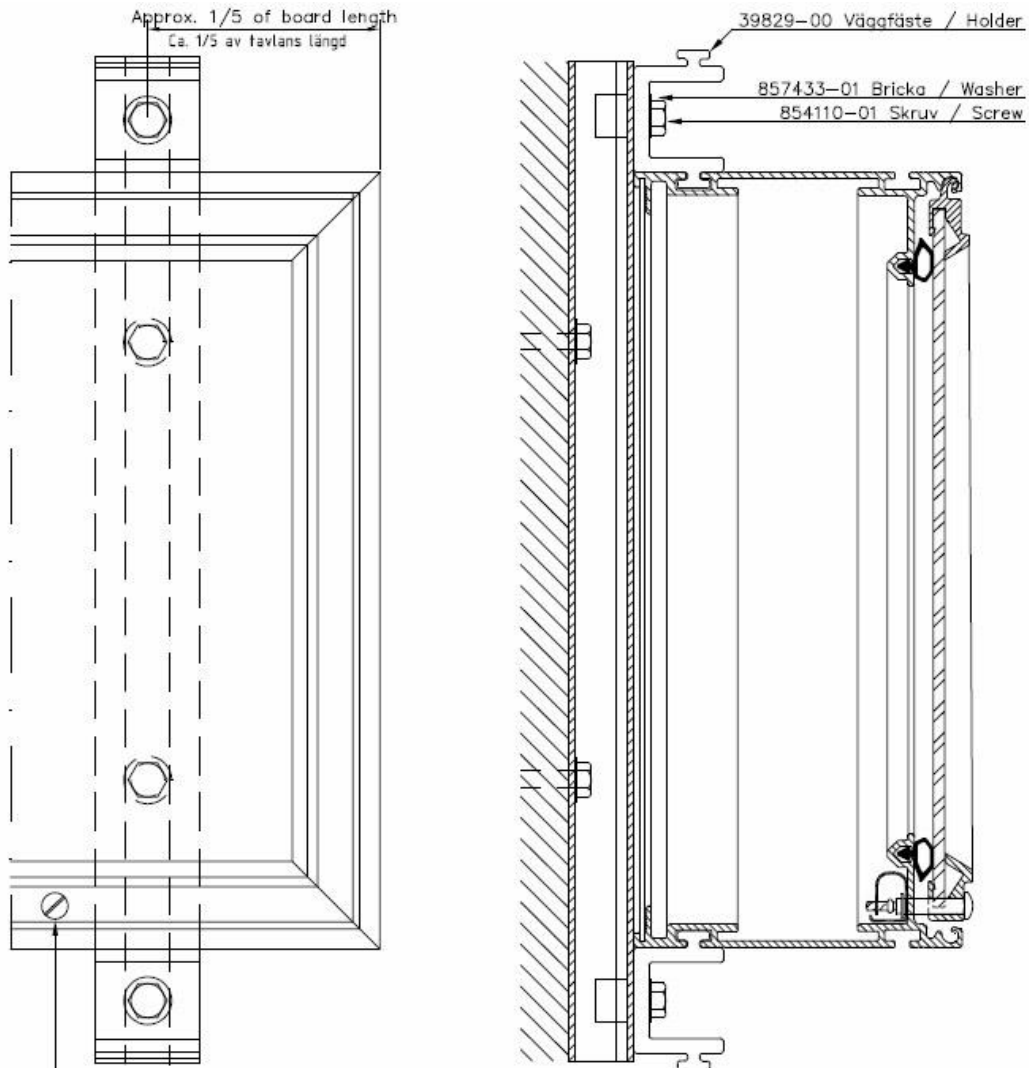
Match/Game time	Minutes and seconds, four digits, count-up or down Local day time can be indicated when no game is being played
Game in progress/stopped	Indicated by green/red dot.
Score indication	00-99 (two digits per team)
Period	1-9
Time-out	Count-down of time is indicated instead of match/game time and by dots
Siren	Built-in. Sounds automatically at finished game, time-out and break pause. By manually pressing a key, the siren can also sound at any requested time
Maintenance	The electronic can easily be removed by loosen two screws in the bottom of the scoreboard.

More detailed description of the function for each individual sports available on separate data sheets.

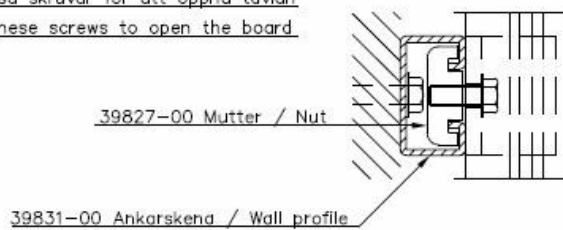
We reserve the right to make changes at any time.



MOUNTING



39822-00 Låsskruv / Locking screw
 39823-00 Bricka / Washer
 Lossa dessa skruvar för att öppna tavlan.
 Unscrew these screws to open the board.



E.8725.D

WESTERSTRAND URFABRIK AB Sweden

P.O. Box 133, SE-545 23 TÖREBODA
 E-mail: info@westerstrand.se

Tel. +46 506-480 00 Fax +46 506-48051
 Internet: www.westerstrand.se



TECHNICAL DATA:

Case:	Aluminium, black
Front:	Polycarbonate, 3mm
Digits:	LED's (SMD)
Digit height: teamfoul), 140mm (period)	190 mm (score, time, penalty and
Colour of digits:	Red / Yellow
Colour of fixed text:	Yellow
Size of dots:	Ø 25mm
Colour of dots:	2 yellow and 1 red / team 1 green and 1 red for indication game in progress/stopped
Exterior dimensions of case:	(WxHxD) 1400 x 900 x 110 mm
Weight:	20 kgs
Reading distance:	Approx. 75 metres
Connection voltage:	230V 50-60 Hz AC
Power supply and electronics:	The electronic can easily be removed by loosen two screws in the bottom of the scoreboard.
Power consumption:	Max. 160 VA
Ambient temperature:	-20° C up to +50°C
Siren:	Built in, 105 dB



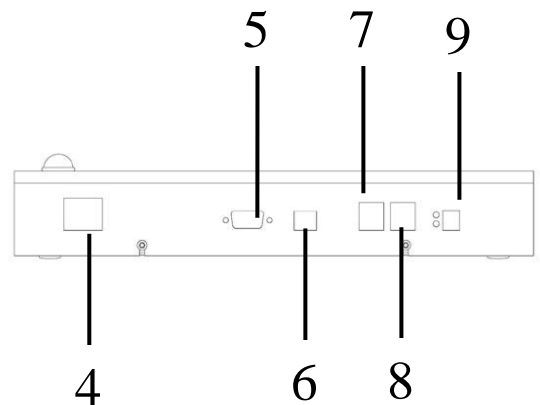
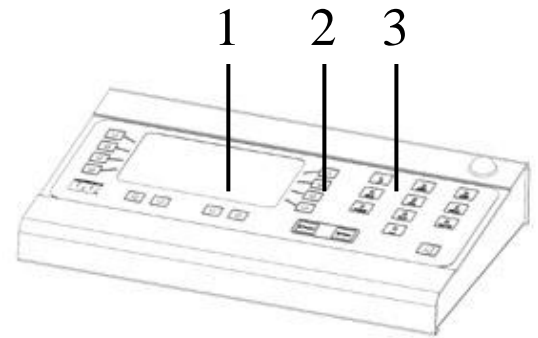
DESCRIPTION: REMOTE CONTROL UNIT BASIC 117600-15

The TFT display shows the same information as the Scoreboard.
Easy to use through pre-programmed international rules.

Remote control Art.No. 117600-15 for wireless operation of Scoreboards

The delivery includes:

- 1 pc. Remote control unit wireless with pre-programmed sports
- 1 pc. Receiver for the Scoreboard



- 1. TFT display (800 x 480 pixels)
- 2. Function keys
- 3. Numeric keys
- 4. Switch on/off
- 5. D-sub connector
- 6. USB connector
- 7. Connector for start/stop handle
- 8. Connector for 24-seconds control handle
- 9. Power connection incl. LED charge indicator, Battery eliminator is included

TECHNICAL DATA:

Exterior measurements:	(WxHxD) 295 x 195 x 50 mm.
Weight:	1,2 kgs
Ambient temperature:	± 0°C up to +40°C.
Colour	Black casing with blue overlay
Case:	Aluminium
Connection to basic module:	Wireless 2.4 GHz
Mains Power:	230VAC
Battery:	Built in (approx 10h)

OPTION – see separate data sheets

- Start/Stop handle:
- Siren for medium and large halls
- Audio output – for siren
- RS 232 output
- Red/green referee lamps
- 114915-00 Bag for storage of remote

E.8725.D

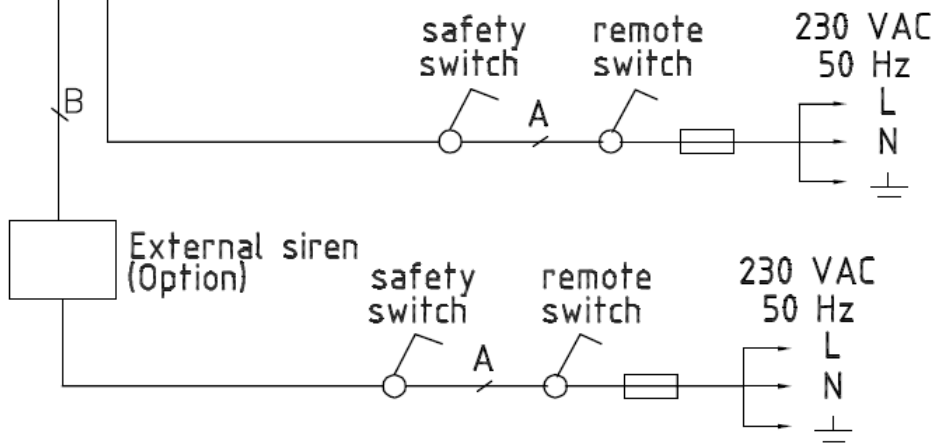
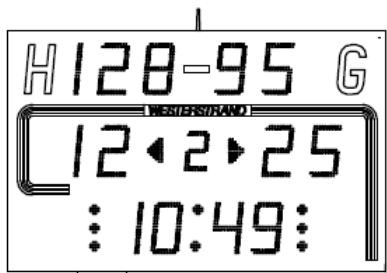
WESTERSTRAND URFABRIK AB Sweden

P.O. Box 133, SE-545 23 TÖREBODA
E-mail: info@westerstrand.se

Tel. +46 506-480 00 Fax +46 506-48051
Internet: www.westerstrand.se



CABLE DIAGRAM



cable length m	A	B
< 50		2 x 0,5
< 100		
< 150		
< 250		
connect. diagr.	086363-02	086363-20
remark		

We reserve the right to make changes at any time.

E.8725.D

WESTERSTRAND URFABRIK AB Sweden

P.O. Box 133, SE-545 23 TÖREBODA
E-mail: info@westerstrand.se

Tel. +46 506-480 00 Fax +46 506-48051
Internet: www.westerstrand.se