



**DESCRIPTION – BASIC LED190 ICEHOCKEY + SHOT**

**ART NO 117601-22**

Basic module is a single sided Scoreboard for indoor sports

The delivery includes:

- 1 pc. Multi-purpose scoreboard with built in siren (indoor use)
- 1 pc. Wall mounting kit according to description 2582
- 1 pc. Instruction 2570
- 1 pc. Hard wired remote
- 1 pc. Handle shot counter

SPORTS: ICE HOCKEY



Handle shot counter  
43064-05

The design makes it suitable for ice hockey and can also be combined with various add-on modules e.g. Penalty units.

It is controlled from our self-instructing remote control unit with pre-programmed rules adapt the control unit to each individual sport and separate handle for controlling shots on goal.

The included remote control unit is hard wired, connection to Scoreboard acc to diagram on page 4.

<b>Match/Game time</b>	Minutes and seconds, four digits, count-up or down Local day time can be indicated when no game is being played
<b>Game in progress/stopped</b>	Indicated by green/red dot.
<b>Score indication</b>	00-99 (two digits per team)
<b>Period</b>	1-9
<b>Shot on goal</b>	00-99 (two digits per team)
<b>Time-out</b>	Count-down of time is indicated instead of match/game time (not in basketball), and by dots
<b>Siren</b>	Built-in. Sounds automatically at finished game, time-out and break pause. By manually pressing a key, the siren can also sound at any requested time
<b>Maintenance</b>	The electronic can easily be removed by loosen two screws in the bottom of the scoreboard.

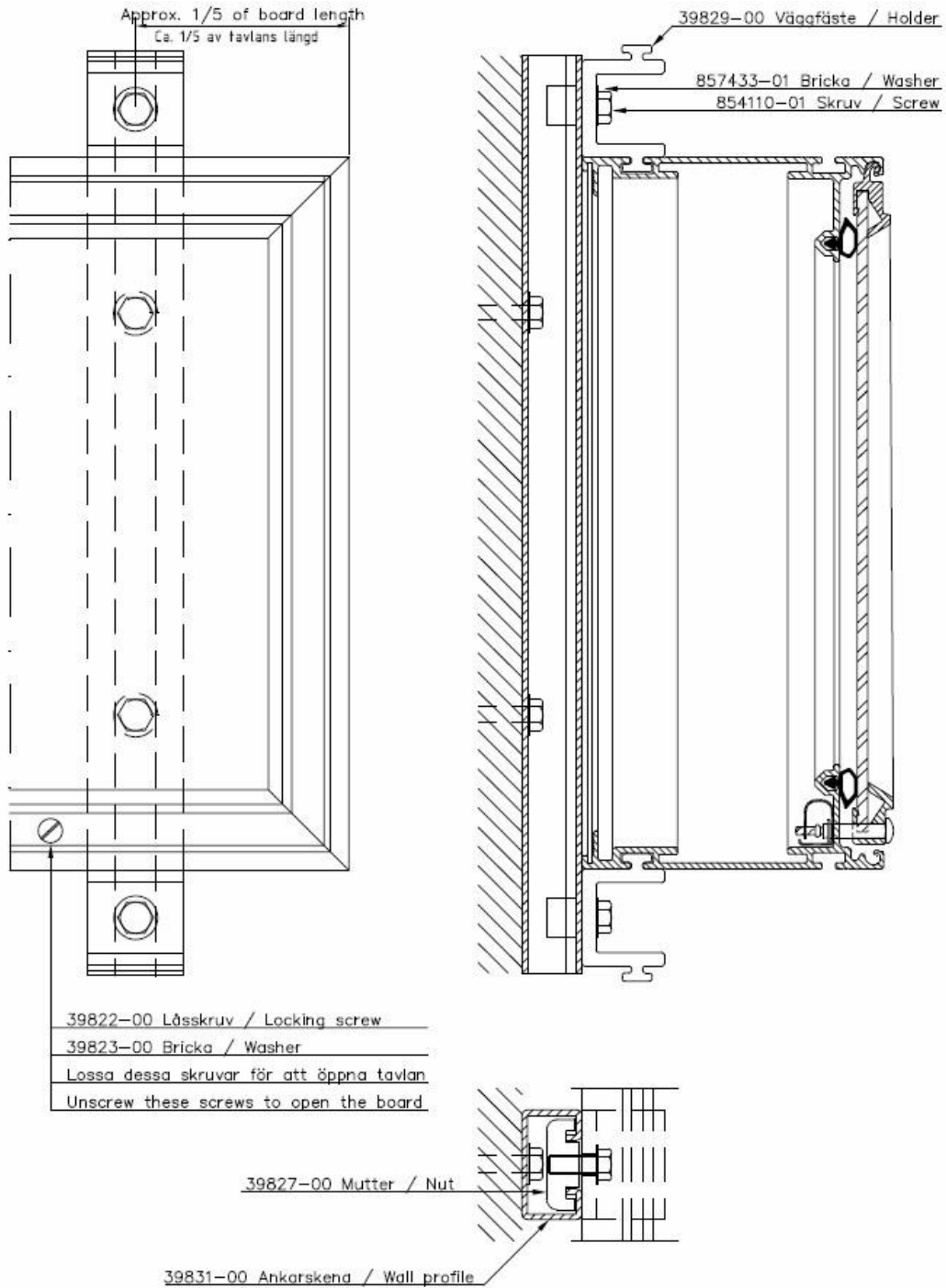
**More detailed description of the function for each individual sports available on separate data sheets.**

We reserve the right to make changes at any time.

E.8729.D



## MOUNTING



**WESTERSTRAND URFABRIK AB Sweden**

P.O. Box 133, SE-545 23 TÖREBODA  
E-mail: [info@westerstrand.se](mailto:info@westerstrand.se)

Tel. +46 506-480 00 Fax +46 506-48051  
Internet: [www.westerstrand.se](http://www.westerstrand.se)



#### TECHNICAL DATA:

Case:	Aluminium, black
Front:	Polycarbonate, 3mm
Digits:	LED's (SMD)
Digit height: 140mm (period)	190 mm (score, time and shots),
Colour of digits:	Red / Green / Yellow
Colour of fixed text:	Yellow
Size of dots:	Ø 25mm
Colour of dots:	2 yellow and 1 red / team 1 green and 1 red for indication game in progress/stopped
Exterior dimensions of case:	(WxHxD) 1400 x 900 x 110 mm
Weight:	21 kgs
Reading distance:	Approx. 75 metres
Connection voltage:	230V 50-60 Hz AC
Power supply and electronics:	The electronic can easily be removed by loosen two screws in the bottom of the scoreboard.
Power consumption:	Max. 160 VA
Ambient temperature:	-20°C up to +50°C
Siren:	Built in, 105 dB

**WESTERSTRAND URFABRIK AB Sweden**

P.O. Box 133, SE-545 23 TÖREBODA  
E-mail: [info@westerstrand.se](mailto:info@westerstrand.se)

Tel. +46 506-480 00 Fax +46 506-48051  
Internet: [www.westerstrand.se](http://www.westerstrand.se)



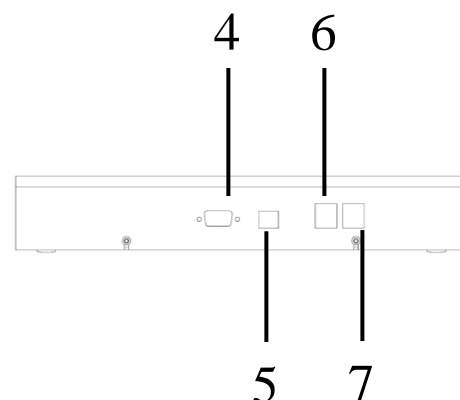
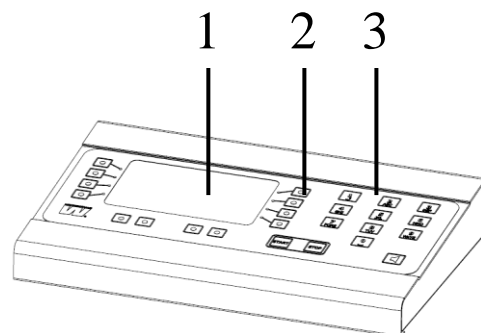
**DESCRIPTION: REMOTE CONTROL UNIT BASIC 117600-05**

The TFT display shows the same information as the Scoreboard.  
Easy to use through pre-programmed international rules.

**Remote control Art.No. 117600-05 for hardwired operation of Scoreboards**

The delivery includes:

- 1 pc. 22497-00 Remote control unit with pre-programmed sports
- 1 pc. 40536-42 Connection box



- 1. TFT display (800 x 480 pixels)
- 2. Function keys
- 3. Numeric keys
- 4. D-sub connector
- 5. USB connector
- 6. Connector for 24-seconds control handle
- 7. Connector for start/stop handle

**TECHNICAL DATA:**

Exterior measurements:

(WxHxD) 295 x 195 x 50 mm.

Weight:

1,2 kgs

Ambient temperature:

± 0°C up to +40°C.

Colour

Black casing with blue overlay

Case:

Aluminium

Connection to basic module:

See block diagram on next page. 3,0 metre cable with 5-polar audio connector and connection box are included in the shipment.

**OPTION – see separate data sheets**

- Start/Stop handle:
- Siren for medium and large halls
- Audio output – for siren
- RS 232 output
- Red/green referee lamps
- 114915-00 Bag for storage of remote

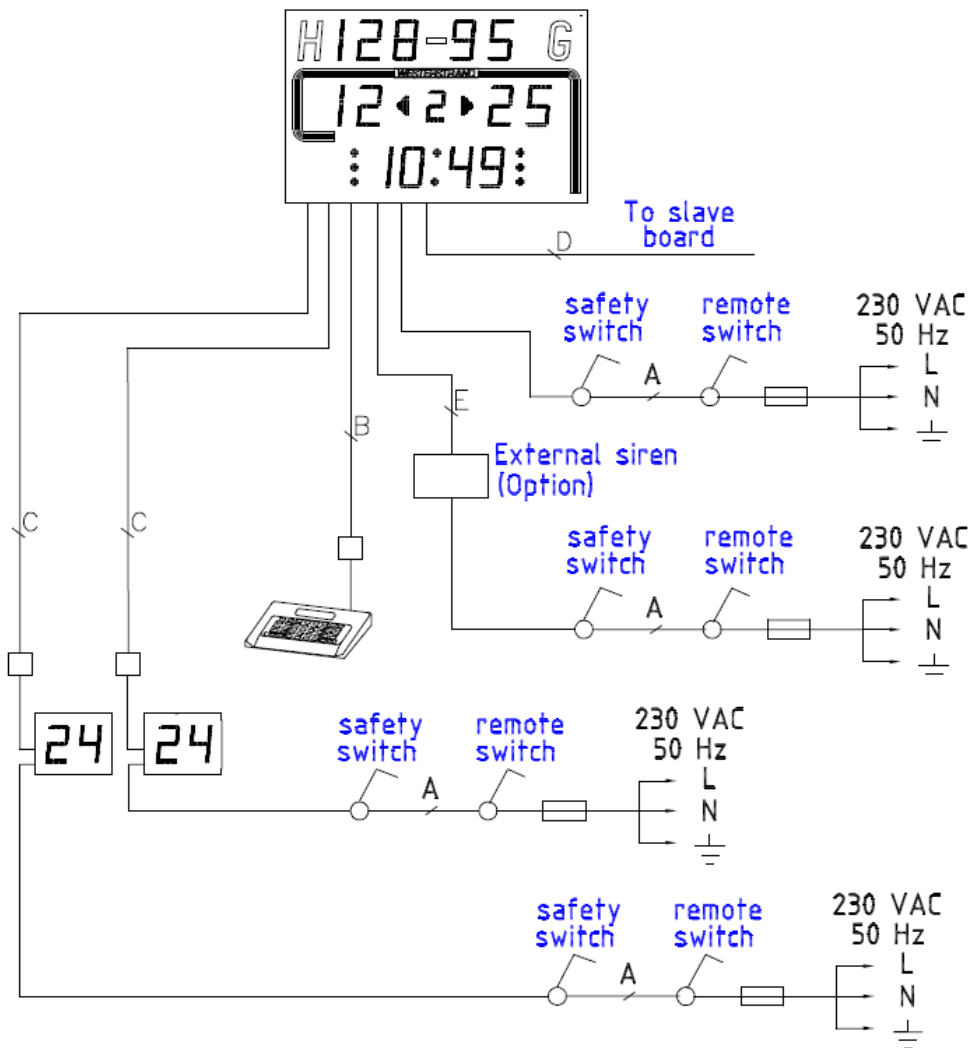
**WESTERSTRAND URFABRIK AB Sweden**

P.O. Box 133, SE-545 23 TÖREBODA  
E-mail: info@westerstrand.se

Tel. +46 506-480 00 Fax +46 506-48051  
Internet: www.westerstrand.se



**CABLE DIAGRAM**



cable length m	A	B	C	D	E
< 50		4 x 0,5			2 x 0,5
< 100		4 x 1,0			
< 150		4 x 1,5			
< 250		4 x 2,5	Cat 5/6	Cat 5/6	
connect. diagr.	086363-02	086363-03	084071-73	086363-08	086363-20
remark		shielded	UTP	UTP	

We reserve the right to make changes at any time.

**WESTERSTRAND URFABRIK AB Sweden**

P.O. Box 133, SE-545 23 TÖREBODA  
E-mail: info@westerstrand.se

Tel. +46 506-480 00 Fax +46 506-48051  
Internet: www.westerstrand.se