



Analogue indoor NTP PoE Clock - Exclusive design



The Westerstrand analog NTP-PoE clocks receive the time from the NTP-server in the local network. Automatic time correction every second hour during normal operation. Supervision and alarm management are available by standard protocols. When a power brake occurs, the clocks will temporarily stop, and will automatically be reset when the power return. Power supply by PoE, Power over Ethernet by a RJ45 network connector. The Ethernet cable is combining power supply and data. PoE network switch is available.

Technical information

Configuration by web browser or Telnet.

DHCP option 42 for automatic configuration of NTP-server address is supported.

Unicast, Multicast and Broadcast time synchronization are available.

If the connection to the time server is lost, the clock will continue to operate by it's built in time base.

When the connection to the time server is restored, the clock will automatically be synchronized again.

The positions of the hands are registered by the clock.

General

- Sizes Ø230, 300 and 400mm
- Housing in white (NCS 0502-B)
- White dial with black numerals 1-12 (A-dial), black hour marks (H-dial)
- Black hour, sweeping. Black minute, stepping (6 steps /min). Red seconds, sweeping.
- Flat front cover of glass
- Single sided for surface wall mounting or double sided with mounting bracket for either wall mounting or ceiling/standing installation

Options

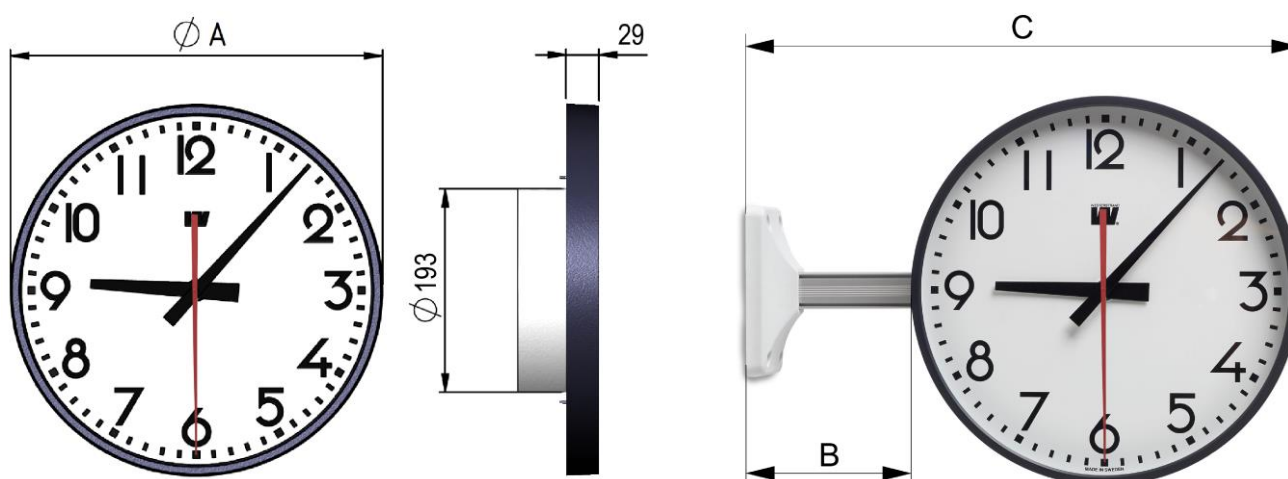
- Front cover in acrylic or polycarbonate
- Protection cupola in acrylic or protection cover in polycarbonate
- Back cover in white painted aluminium for single sided mounting with bracket
- Aluminum ring/housing
- Console for single sided mounting
- Mounting ring

Technical Specification NTP PoE-clock

Teknisk Data

Protocol:	Network Time Protocol (NTP) version 1, 2, 3 och 4, SNTP version 3 och 4 MD5 authentication and autokey Key Management
NTP:	Unicast client mode (point to point), support för DHCP option 42, Broadcast & Multicast mode (point to multipoint). Multicast group address 224.0.1.1
Other protocol supported:	HTTP, Telnet, SNMP, SYSLOG
Transport protocol:	TCP-, UDP
IP adress assignment:	IPv4, IPv6
Compatibility:	Ethernet version 2/IEEE 802.3af
Ethernet (connection):	Support 10/100 BASE-T (RJ45)
Additional information:	Support for DNS Console arm in aluminum profile (for doublesided clock)
Power over Ethernet:	IEEE 802.3af
Power consumption:	2 W
Working temperature:	0 to +40°C
Humidity:	max 95%
Protection class:	IP20
Noise (normal operation):	< 6 dB Laeq
Standard	EN 61000-6-3:2001 Emission EN 61000-6-2:2005 Immunity
Reading distance:	Ø230: 10m Ø300: 20m Ø400: 25m

Dimension



PoE-clock	A	B	C
Ø230	240	118	358
Ø300	313	133	446
Ø400	414	143	557

All specified dimensions in mm.

We reserve the right to make changes at any time.